



YOU CAN TRUST

POTATO PEELER

DB-6

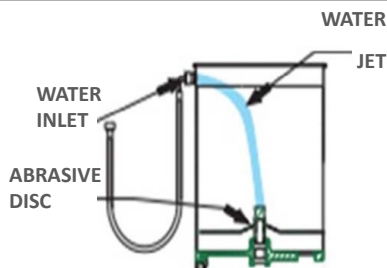


STANDARD FEATURES

- Designed to peel 12 lb of potatoes at once and similar vegetables, like carrots, beet, radish and others as long as they are similar in size and shape.
- Rotating abrasive disc made of carbon steel sheet coated with non-toxic aluminum oxide and running water gently remove peels from potatoes and similar vegetables.
- Stainless steel housing and exit chute. Ensure durability and easy cleaning.
- Stainless steel hinged cover with inspection holes.
- DB-6 is equipped with a safety switch to stop motor when cover is lifted up.
- 7-minute timer allows for un-attended operation and prevent wastage of products.
- Processing time as little as 1:30 to 2 minutes.



DB-6
POTATO PEELER



ILLUSTRATIVE PHOTO, ACTUAL PRODUCTS AND ACCESSORIES ARE SUBJECT TO CHANGE WITHOUT NOTICE.



Skyfood Equipment LLC
175 SW 7th Street, Ste 2416
Miami, FL 33130

Toll Free:
1-800-503-7534
sales@skyfood.us

www.skyfood.us



Follow us to keep up to date with the latest news and offers

/SkyfoodEquipment

/SkyfoodEquipment

/SkyfoodEquipment



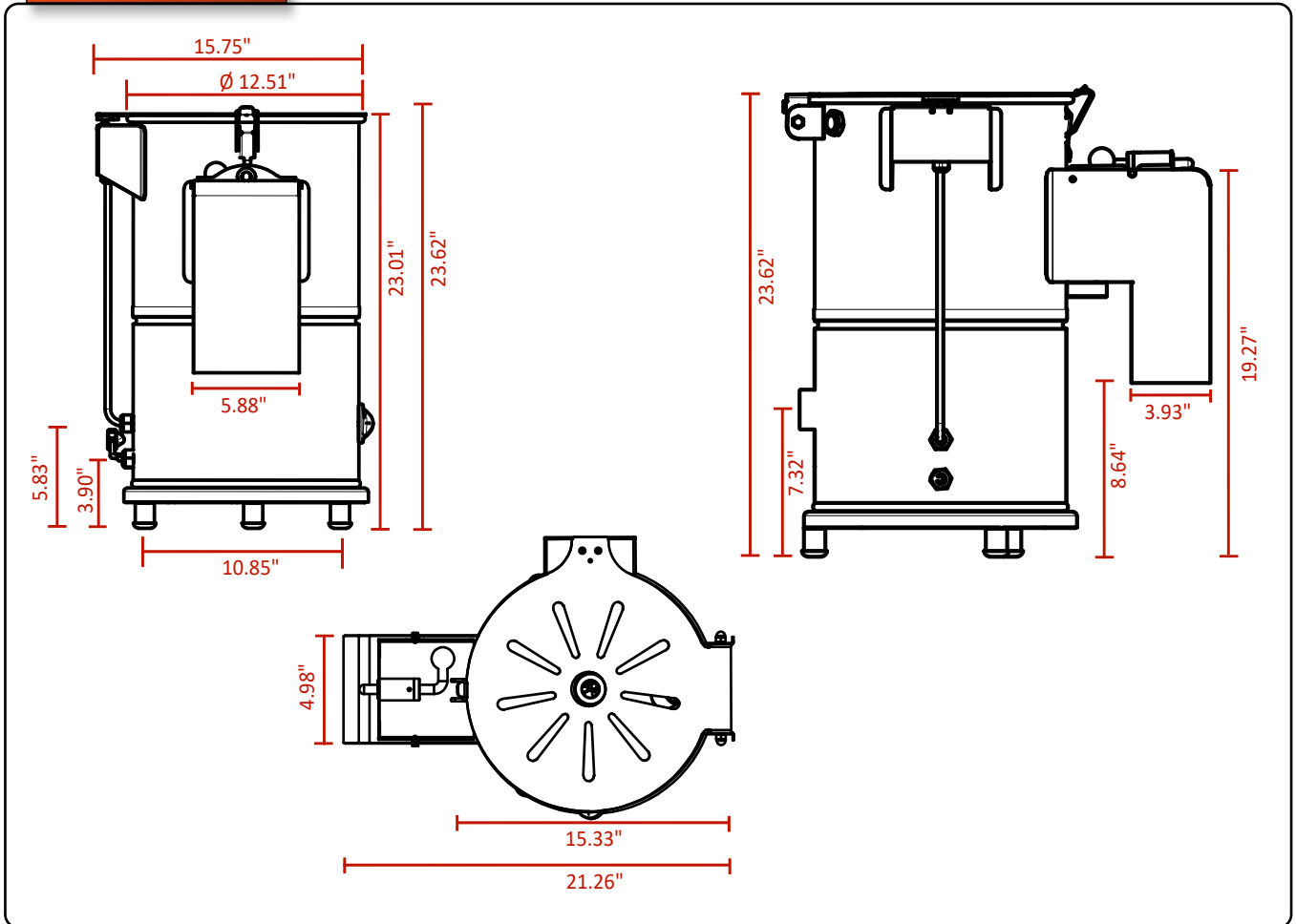
YOU CAN TRUST

POTATO PEELERS

DB-6



DIMENSIONS



MADE IN BRAZIL

PLUG
NEMA 5-15P

WARRANTY 01 YEAR PARTS AND LABOR VALID IN THE CONTINENTAL UNITED STATES.



CALIFORNIA RESIDENTS ONLY - WARNING:
Cancer and Reproductive Harm - www.P65Warnings.ca.gov

Item	Voltage	AMPS	Power Rating	Dimensions (W x D x H)	Weight (Net x Ship)	Tank Capacity	Production	PLUG
DB-6	110 V	6.3	1/4 HP	15.75" x 21.26" x 23.62"	47.3 lb x 68.2 lb	12 lb	159 lb/h approx.	NEMA 5-15P



Skyfood Equipment LLC
175 SW 7th Street, Ste 2416
Miami, FL 33130

Toll Free:
1-800-503-7534
sales@skyfood.us

www.skyfood.us



ILLUSTRATIVE PHOTO, ACTUAL PRODUCTS AND ACCESSORIES ARE SUBJECT TO CHANGE WITHOUT NOTICE.