



YOU CAN TRUST

MEAT AND BONE SAWS

SI-282HDE-1 / SI-282HDE-2



STANDARD FEATURES

Skyfood Heavy Duty Meat and Bone Saws SI-282HDE-1 (single-phase) and SI-282HDE-2 (three-phase) are ideal for medium to large butcher shops, grocery stores and other meat processing operations. These floor model units feature a 112" long blade with 4 teeth per inch and a powerful 2 hp motor. Entirely constructed of stainless steel for longevity. Comes standard with a sliding feeding table and a thickness gauge plate to ensure precise cuts. Includes an easily removable large lower scrap pan to catch bone dust and maintain the area clean. Upper and lower doors and wheels, sliding and stationary tables are easily removable to facilitate cleaning at the end of the day.

Safety Features include:

- Blade guide guard above the cutting zone.
- Emergency button easily accessible.
- Reset button prevents the machine from turning back on automatically after a power shortage.
- Upper and lower doors equipped with a safety switch that will stop motor when opened.
- Column blade guard equipped with a safety switch that will stop motor when removed.
- Motor equipped with an overload protection switch to prevent it from overheating.
- ETL certified under UL 763, NSF 8 and CSA C22.2 No. 195 Standards



SI-282HDE-1 (single-phase)
SI-282HDE-2 (three-phase)
HEAVY DUTY MEAT AND BONE SAW
ALL STAINLESS STEEL



Extra blades available for purchase:

SB112344TPI
Hard Saw Blade 112"
Long 3/4" Wide 4Tper Inch

ILLUSTRATIVE PHOTO, ACTUAL PRODUCTS AND ACCESSORIES ARE SUBJECT TO CHANGE WITHOUT NOTICE.



Skyfood Equipment LLC
175 SW 7th Street, Ste 2416
Miami, FL 33130

Toll Free:
1-800-503-7534
sales@skyfood.us

www.skyfood.us



Follow us to keep up to date with the latest news and offers

/SkyfoodEquipment

/SkyfoodEquipment

/SkyfoodEquipment



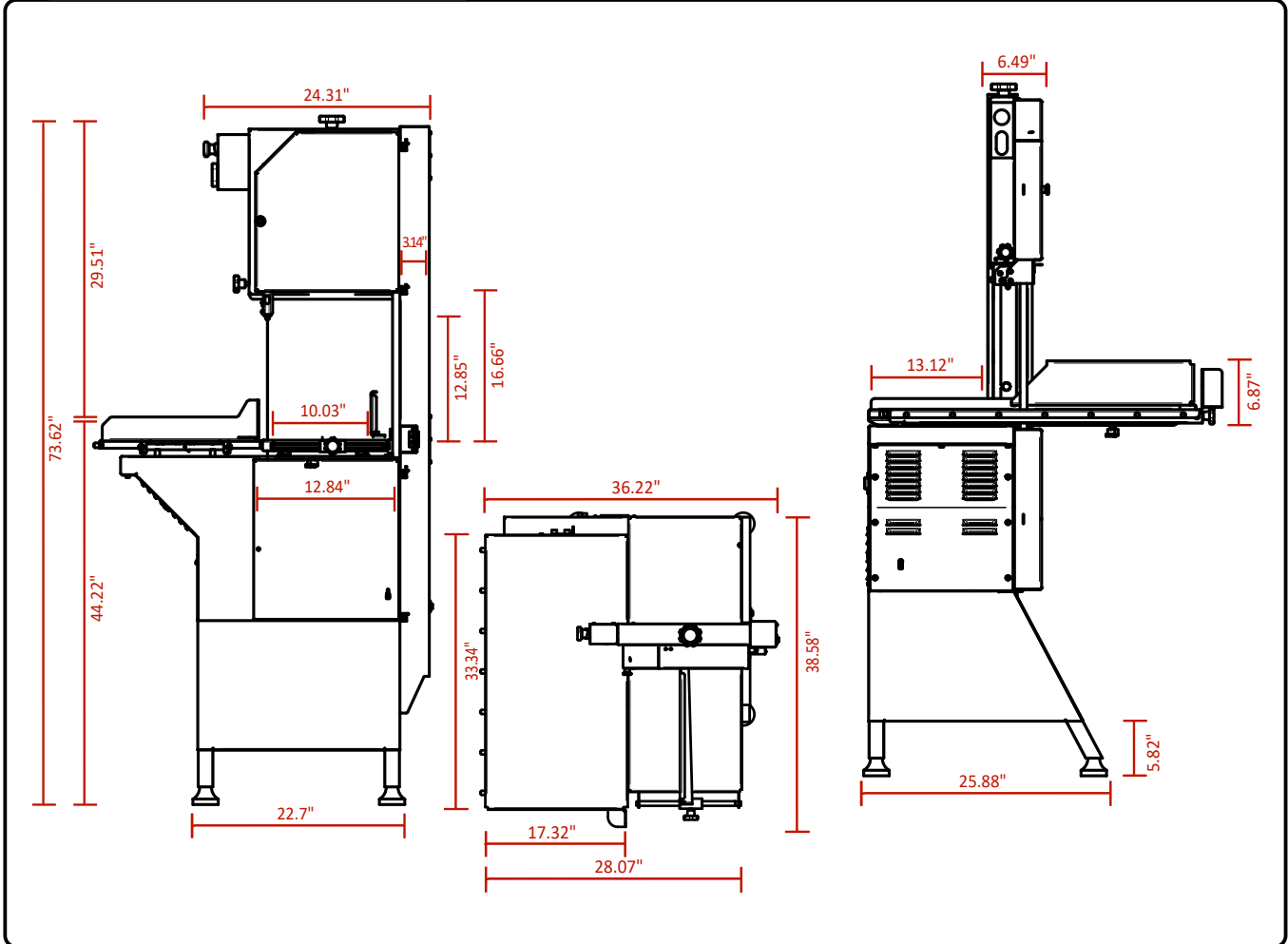
YOU CAN TRUST

MEAT AND BONE SAWS

SI-282HDE-1 / SI-282HDE-2



DIMENSIONS



CALIFORNIA RESIDENTS ONLY - WARNING:
Cancer and Reproductive Harm - www.P65Warnings.ca.gov

WARRANTY 01 YEAR PARTS AND LABOR VALID IN THE CONTINENTAL UNITED STATES.

Item	Voltage	Power Rating	Amps	Blade (L x W)	Dimensions (W x D x H)	Weight (Net x Ship)	Cutting Area (W x H)	Working Area (W x H)	PLUG
SI-282HDE-1	230 V	2 HP / 1470 W	9.5	112" x 3/4"	36.02" x 38.58" x 73.62"	242 lb x 374 lb	10.03" x 12.85"	28.07" x 33.34"	NEMA 6-20P
SI-282HDE-2	230 V	2 HP / 1470 W	5.6	112" x 3/4"	36.02" x 38.58" x 73.62"	250.8 lb x 378.4 lb	10.03" x 12.85"	28.07" x 33.34"	Comes with no plug



Skyfood Equipment LLC
175 SW 7th Street, Ste 2416
Miami, FL 33130

Toll Free:
1-800-503-7534
sales@skyfood.us

www.skyfood.us



Follow us to keep up to date with the latest news and offers

[/SkyfoodEquipment](#)

[/SkyfoodEquipment](#)

[/SkyfoodEquipment](#)

ILLUSTRATIVE PHOTO, ACTUAL PRODUCTS AND ACCESSORIES ARE SUBJECT TO CHANGE WITHOUT NOTICE.